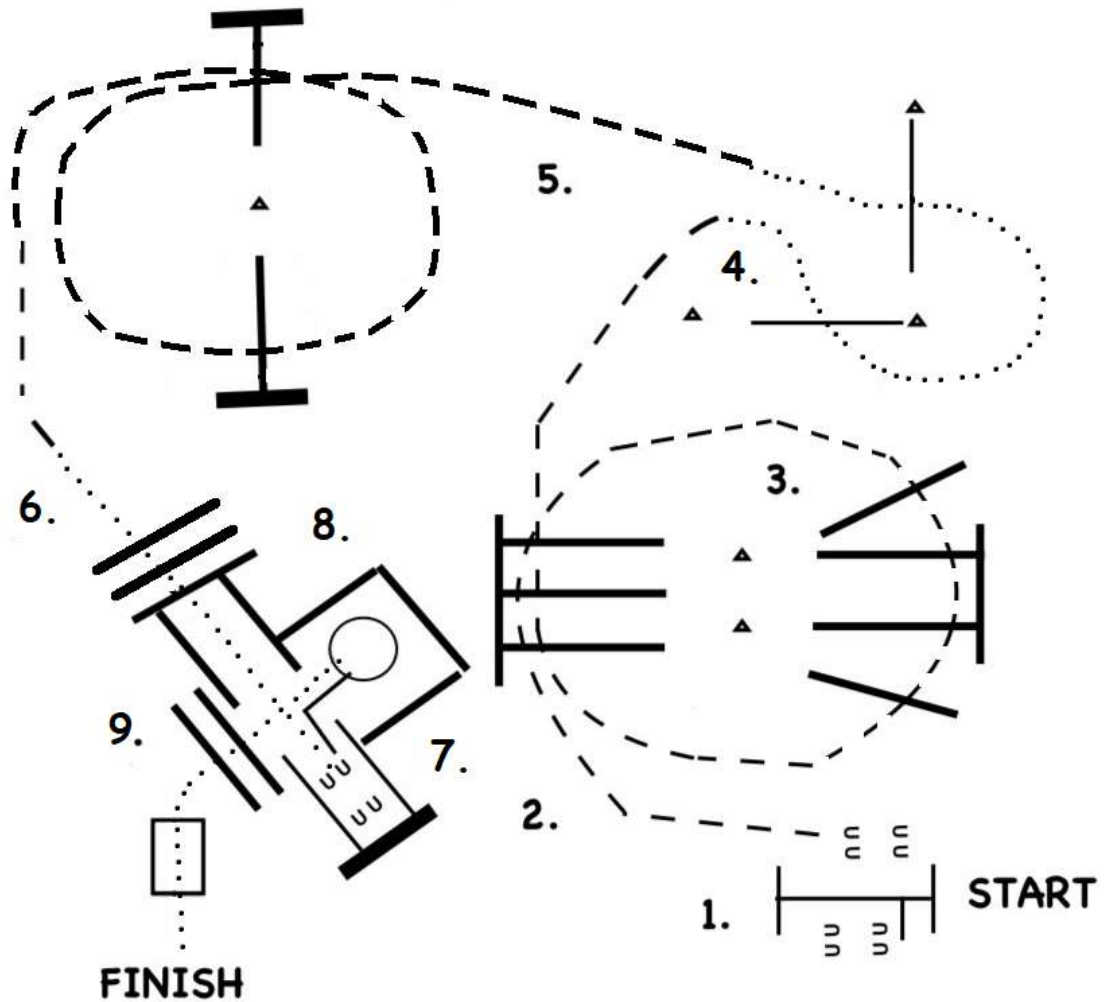


AIQH WINTER WESTERN SHOW

17-19 FEBBRAIO 2023

WALK & TROT



1. WORK GATE LEFT HAND.
2. JOG OVER POLES.
3. JOG OVER POLES.
4. BREAK TO THE WALK, WALK THROUGH SERPENTINE,
5. JOG OVER POLES.
6. WALK OVER POLES INTO CHUTE AND STOP
7. BACK BETWEEN POLES, BACK INTO BOX.
8. EXECUTE A 360 TURN EITHER WAY.
9. WALK OUT BOX, WALK OVER POLES WALK OVER BRIDGE.

JUDGE: MAURO FUNGO