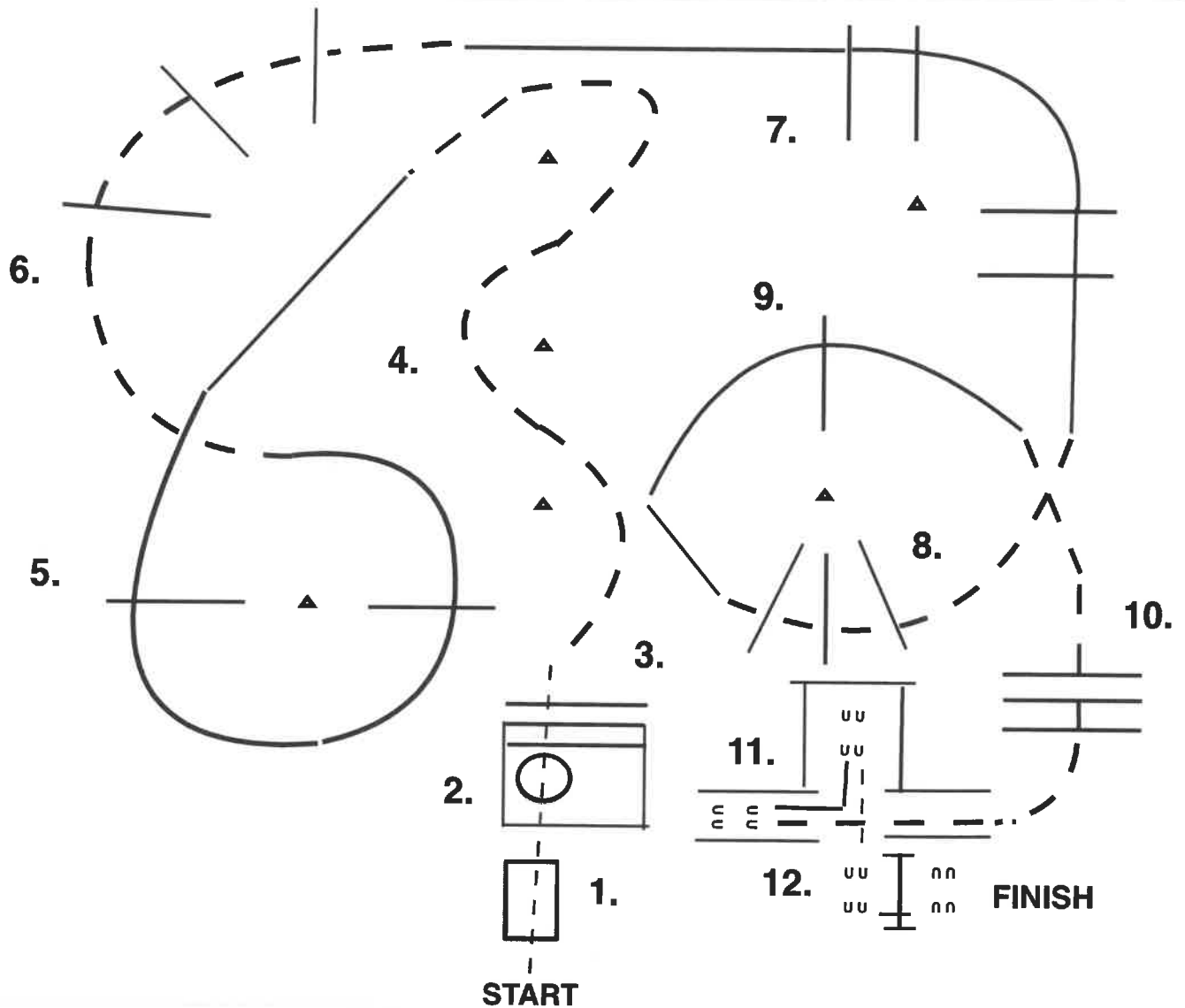


**2021
SUMMER SHOW**

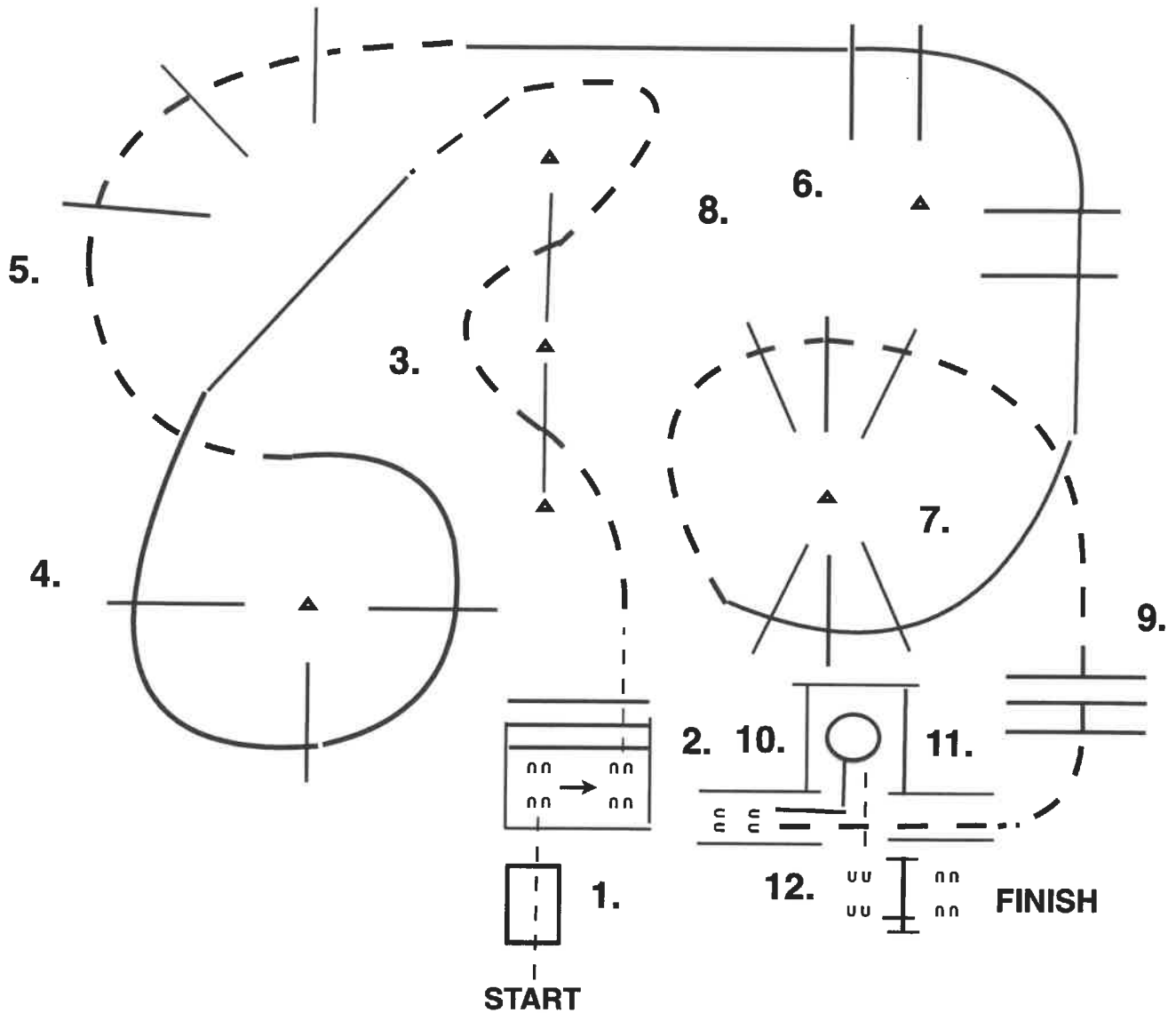
**GREEN TRAIL
L1 AMATEUR - L1 YOUTH**



1. WALK OVER BRIDGE, AND OVER POLE, STOP IN BOX.
2. EXECUTE A 360 TURN IN EITHER DIRECTION.
3. WALK OVER POLES.
4. JOG THROUGH SERPENTINE.
5. LOPE OVER POLES (LEFT LEAD).
6. BREAK TO THE JOG, JOG OVER POLES.
7. LOPE OVER POLES (RIGHT LEAD).
8. BREAK TO THE JOG, JOG OVER POLES.
9. LOPE OVER POLE (RIGHT LEAD).
10. BREAK TO THE JOG, JOG OVER POLES, JOG INTO CHUTE AND STOP IN CHUTE.
11. BACK BETWEEN POLES AND BACK INTO BOX.
12. WALK UP TO GATE, WORK GATE LEFT HAND.

**2021
SUMMER SHOW**

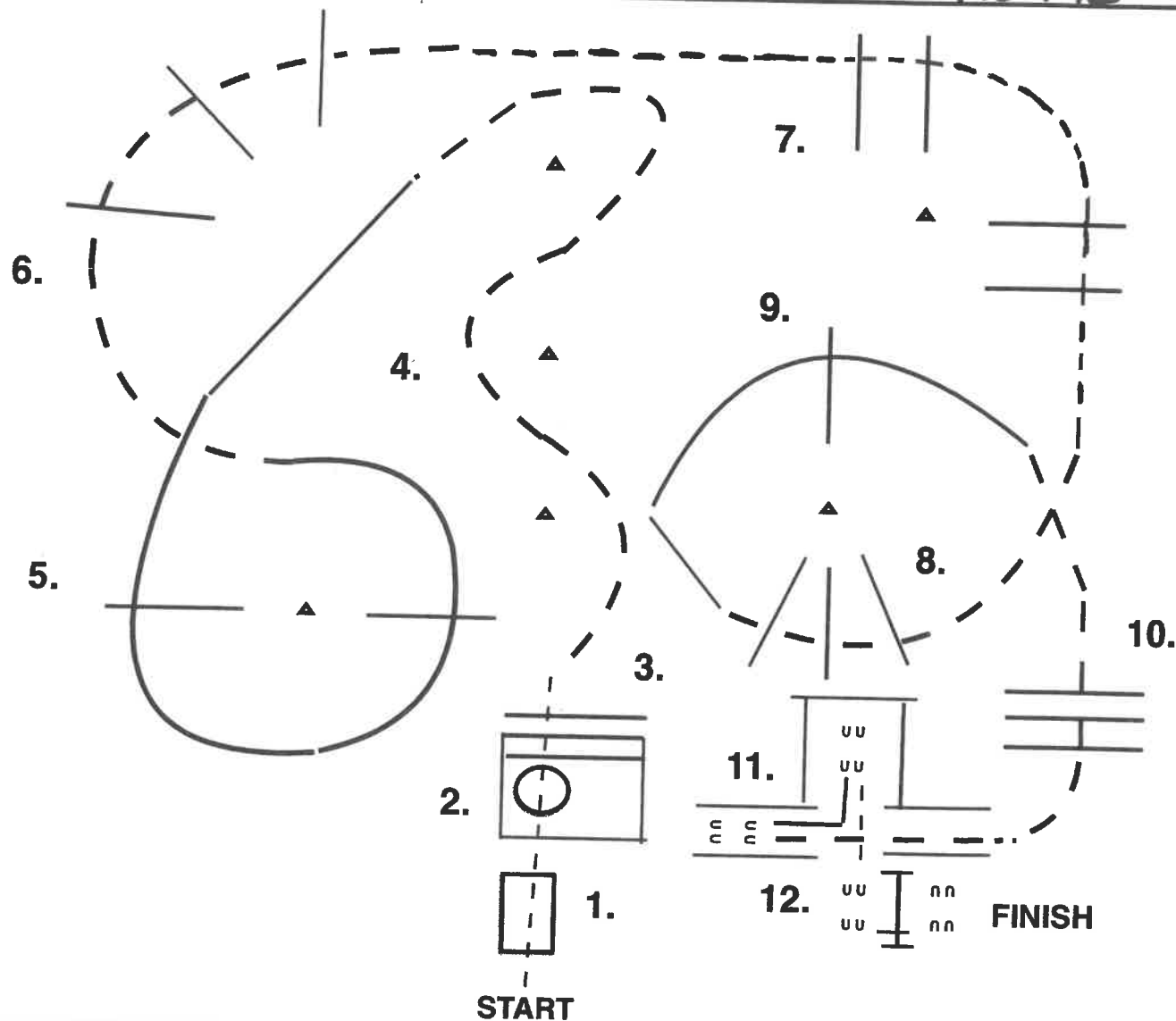
**AMATEUR
YOUTH AND ALL AGE TRAIL**



1. WALK OVER BRIDGE, AND OVER POLE, STOP AND SIDE PASS RIGHT.
2. THEN WALK OVER POLES.
3. JOG THROUGH SERPENTINE, JOG OVER POLES.
4. LOPE OVER POLES (LEFT LEAD).
5. BREAK TO THE JOG, JOG OVER POLES.
6. LOPE OVER POLES (RIGHT LEAD).
7. LOPE OVER POLES (RIGHT LEAD).
8. BREAK TO THE JOG, JOG OVER POLES.
9. JOG OVER POLES, JOG INTO CHUTE AND STOP IN CHUTE.
10. BACK BETWEEN POLES AND BACK INTO BOX.
11. BOX: EXECUTE A 360 TURN EITHER DIRECTION
12. WALK UP TO GATE, WORK GATE LEFT HAND.

**2021
SUMMER SHOW**

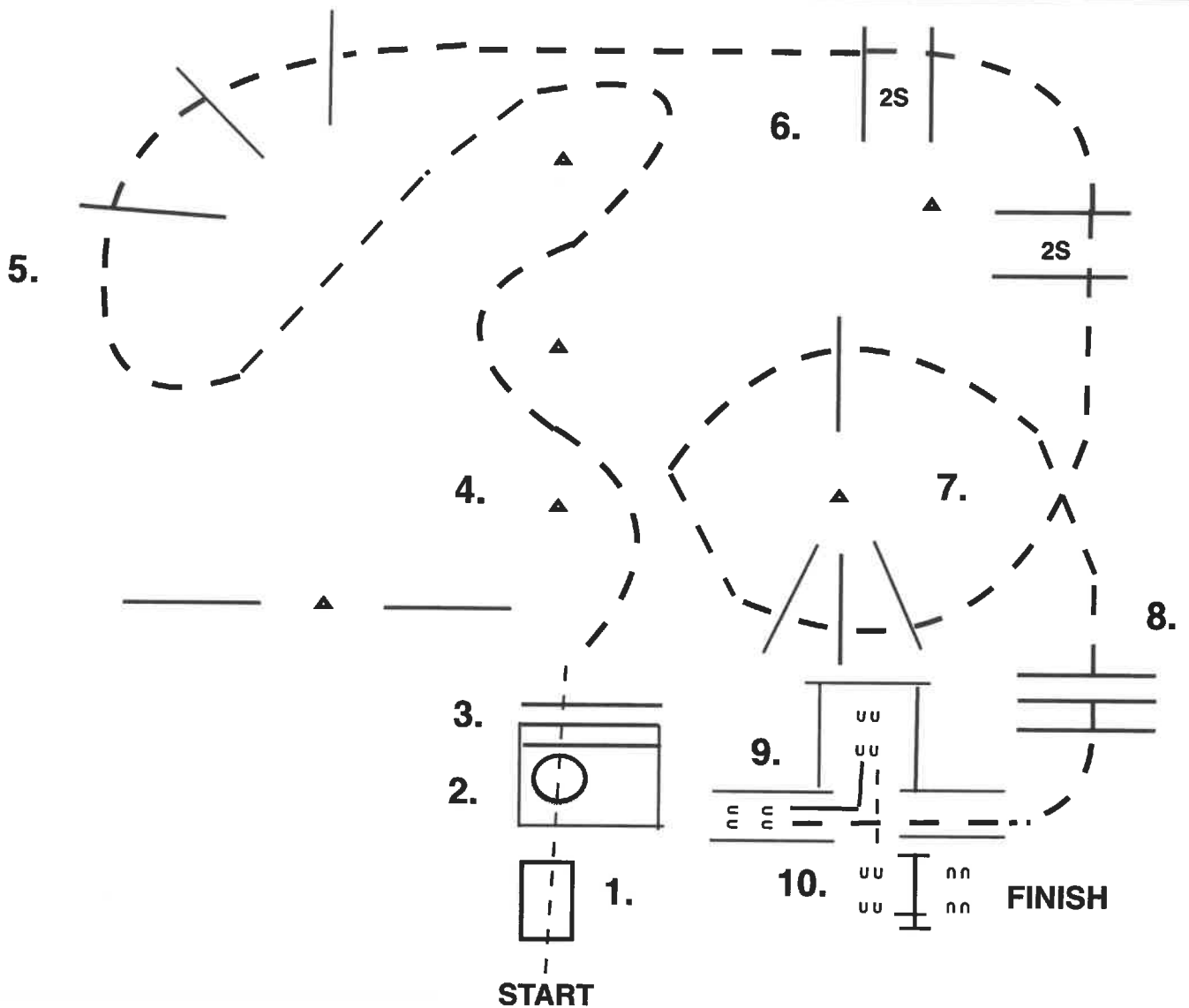
**TRAIL
AMATEUR - YOUTH
ROOKIE ROOKIE**



1. WALK OVER BRIDGE, AND OVER POLE, STOP IN BOX.
2. EXECUTE A 360 TURN IN EITHER DIRECTION.
3. WALK OVER POLES.
4. JOG THROUGH SERPENTINE.
5. LOPE OVER POLES (LEFT LEAD).
6. BREAK TO THE JOG, JOG OVER POLES.
7. JOG OVER POLES
8. BREAK TO THE JOG, JOG OVER POLES.
9. LOPE OVER POLE (RIGHT LEAD).
10. BREAK TO THE JOG, JOG OVER POLES, JOG INTO CHUTE AND STOP IN CHUTE.
11. BACK BETWEEN POLES AND BACK INTO BOX.
12. WALK UP TO GATE, WORK GATE LEFT HAND.

**2021
SUMMER SHOW**

**TRAIL
AMATEUR WT - YOUTH WT**



1. WALK OVER BRIDGE, AND OVER POLE, STOP IN BOX.
2. EXECUTE A 360 TURN IN EITHER DIRECTION.
3. WALK OVER POLES.
4. JOG THROUGH SERPENTINE.
5. JOG OVER POLES.
6. JOG OVER POLES.
7. JOG OVER POLES.
8. JOG OVER POLES, JOG INTO CHUTE AND STOP IN CHUTE.
9. BACK BETWEEN POLES AND BACK INTO BOX.
10. WALK UP TO GATE, WORK GATE LEFT HAND.

SMALL FRY DOES NOT WORK GATE!