

Westernshow Travagliato

TRAIL HORSE

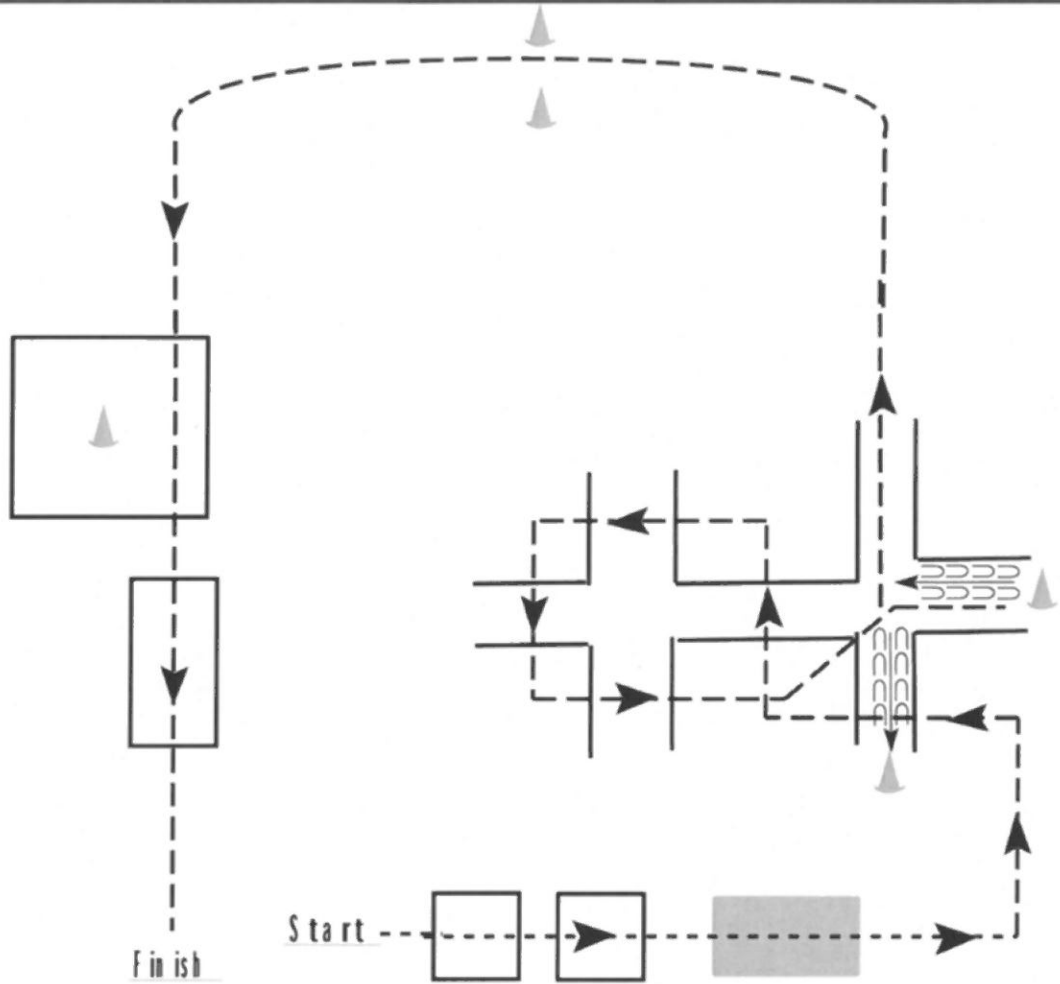
Amateur / Youth

WALK/TROT

Show Date: 6./7. Mai 2017

www.HorseShowPatterns.com

www.HorseShowPatterns.com



1. Walk thru boxes and over bridge..
2. Jog over poles and into chute as shown.
3. Back the L.
4. Jog thru cones and thru boxes to finish.

| | |
|--------------|-----------|
| Walk | ----- |
| Jog | - - - - - |
| Extended Jog | ----- |
| Lope | ----- |
| Leg Yield | |
| Lead Change | /// |
| Back | ←←←←← |
| Marker | Ⓚ |
| Sidepass | ←←←←← |

[T/WT-32]

Pattern Provided by:

Vreni Schmid

Westernshow Travagliato

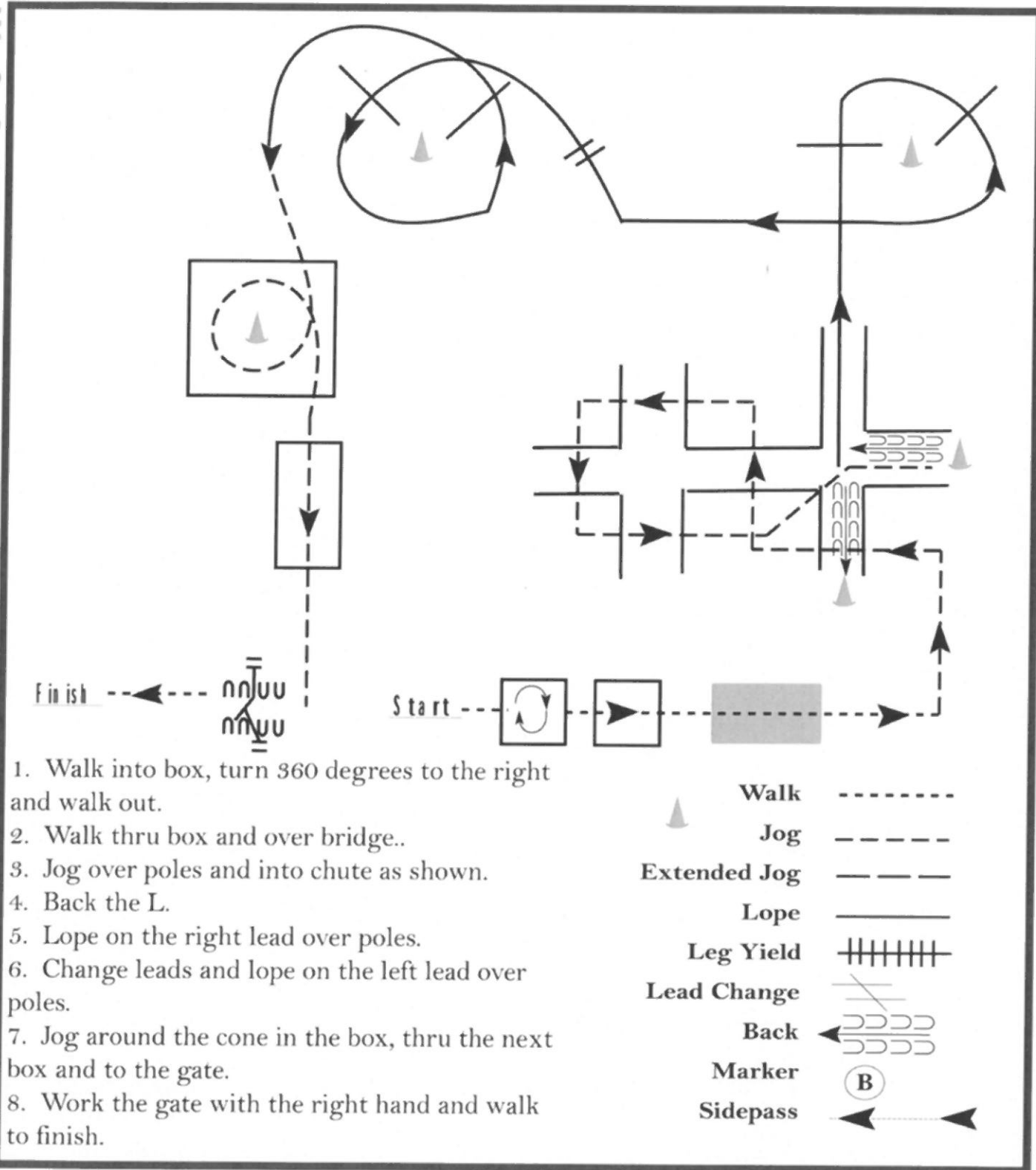
TRAIL

Amateur / Youth/Senior

Show Date: 6./7. Mai 2017

www.HorseShowPatterns.com

www.HorseShowPatterns.com



1. Walk into box, turn 360 degrees to the right and walk out.
2. Walk thru box and over bridge..
3. Jog over poles and into chute as shown.
4. Back the L.
5. Lope on the right lead over poles.
6. Change leads and lope on the left lead over poles.
7. Jog around the cone in the box, thru the next box and to the gate.
8. Work the gate with the right hand and walk to finish.

| | | |
|-----|--------------|-------|
| ▲ | Walk | ----- |
| --- | Jog | ----- |
| --- | Extended Jog | ----- |
| --- | Lope | ----- |
| | Leg Yield | |
| /// | Lead Change | /// |
| ~ | Back | ~ |
| ⓑ | Marker | ⓑ |
| ← | Sidepass | ← |

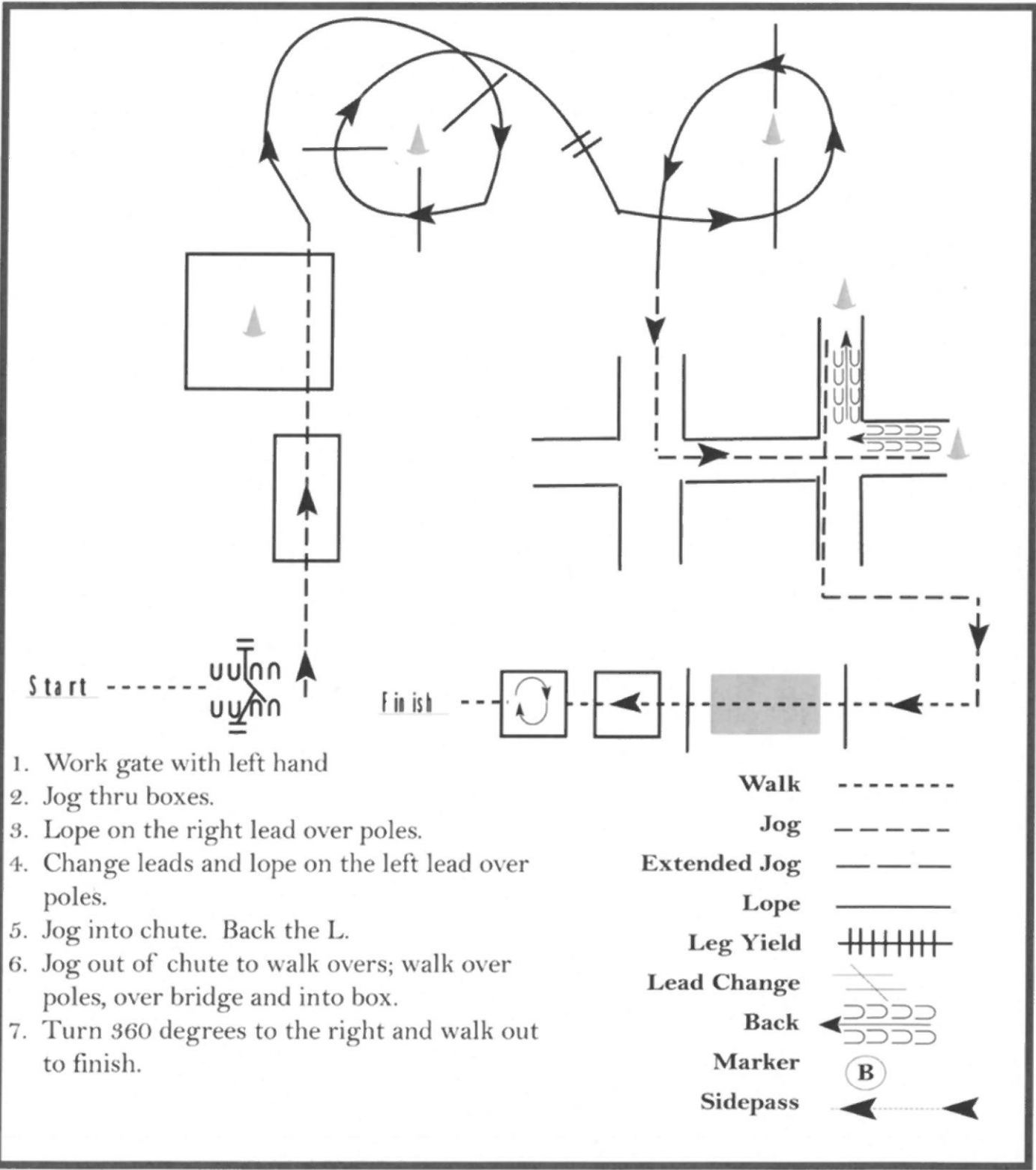
[T/2-32]

Pattern Provided by:
Vreni Schmid

Westernshow Travagliato

Select, Nov. Amateur/Nov. Youth/ Rookies/Junior

Show Date: 6./7. Mai 2017



1. Work gate with left hand
2. Jog thru boxes.
3. Lope on the right lead over poles.
4. Change leads and lope on the left lead over poles.
5. Jog into chute. Back the L.
6. Jog out of chute to walk overs; walk over poles, over bridge and into box.
7. Turn 360 degrees to the right and walk out to finish.

| | |
|--------------|-----------|
| Walk | ----- |
| Jog | - - - - - |
| Extended Jog | — — — — |
| Lope | ————— |
| Leg Yield | |
| Lead Change | ↗ ↘ |
| Back | ←←←←← |
| Marker | Ⓚ |
| Sidepass | ←←←←← |

[T/2-33]

Pattern Provided by:
Vreni Schmid